

概述 OVERVIEW

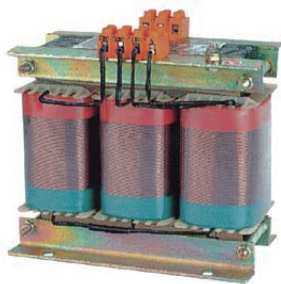


我公司多年来采用优质材料和先进的工艺技术专业生产160VA到600KVA之间,JSJG系列三相干式变压器,是我公司参照西门子公司同类产品最新研制开发数控系列用变压器,尤其160VA-16KVA之间的三相干式变压器,它们的外形和安装尺寸已经标准化,与西门子4AP系列通用,产品符合VDE0550、IEC439、JB5555、GB5226等国际、国家标准。JSJG系列三相干式变压器广泛适用于交流50~60Hz输入输出电压不超过500V的各种三相供电场合。

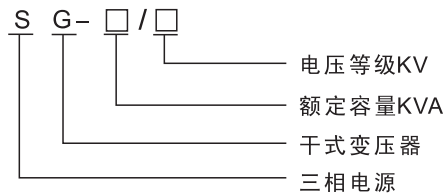
产品的各输入,输出电压的高低、联接组别、调节抽头的多少及位置(一般为±5%)绕组容量的分配、次级单相绕组的配备、整流电路的运用,是否要求带外壳等,均可根据用户的要求进行精心的设计与制造。

Our company has adopted the high-quality materials and advanced technology to specialize in three-phase transformer for many years to get between 160KVA and 600KVA,JSJG three-phase Dry-type transformer is refer to same products of Seimens company empoldered and produced digital control system transformer.especially 160VA-16KVA three-phase dry-type transformer it's overall and intall dimension has standardized,in common use with Seimens 4AP series,the products accord with VED0550.IEC439,JB5555,GB5226 ect.it is widely used in AC 50-60Hz,input and output voltage not exceeding 500V three-phase power supply occasions.

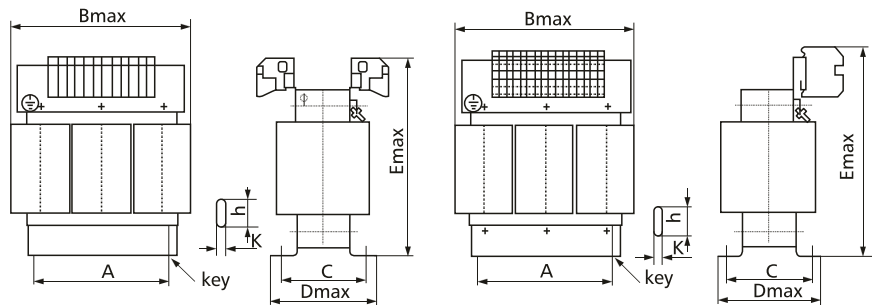
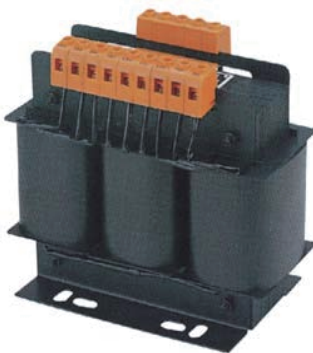
The input and output voltage level of product,join group,the quantity and location of regulating contact (generally +5%),winding capacity distribution,the equipment of single -phase secondary winding,use of rectifier current,whether request take with cover ect,it all can be make meticulous design and manufacture according to the request of user.



型号及其含义 MODEL AND MEANING



外形及安装尺寸 SHAPE AND INSTALLATION SIZE



(一) 容量在4000VA及以下的

(二) 容量在6300~16000VA间的

型号	外形尺寸			安装尺寸		安装孔		备注
	B MAX	D max	E max	A	C	K×H	螺钉	
SG-160	124	64	139	90	49	5×8	M4	
SG-250	151	67	113	113	49	6×12	M5	
SG-400	151	82	113	113	64	6×12	M5	
SG-630	180	83	136	136	56	7.4×13	M6	
SG-1000	180	102	136	136	73	7.4×13	M6	
SG-1600	229	123	176	176	94	7.4×13	M6	
SG-2500	262	138	200	200	101	10×18	M8	
SG-4000	300	154	224	224	118	10×18	M8	
SG-6300	361	169	264	264	138	10×18	M8	
SG-10000	420	185	316	316	141	12×18	M10	
SG-16000	480	194	356	356	155	15×22	M12	

