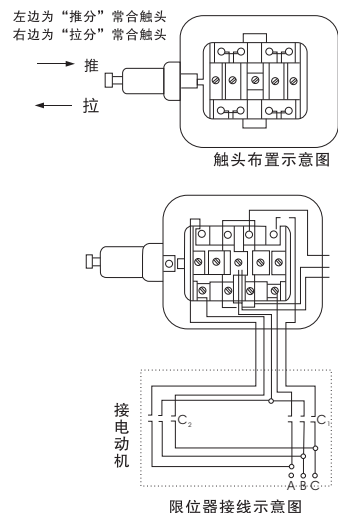


LX44、LX101、LXZ1、LXD1 Series Cutoff Limited 系列断火限位器

产品性能 Performance

适用于交流50~60Hz; AC380V; DC220V; 电流3A~40A的电力线路中, 作限制0.5~10吨的CD1、MD1型, 一般用途钢丝绳式电动葫芦作上升下降机械的限位保护之用。可直接分断提升电动机的主回路。可代替LXZ1系列LX101系列。正常工作在海拔2500M, 环境温度-25℃+40℃; 环境温度90%; 防护等级IP44; 符合IEC337-1. GB14048.5-2001标准, CCC证书号2003010305053779.

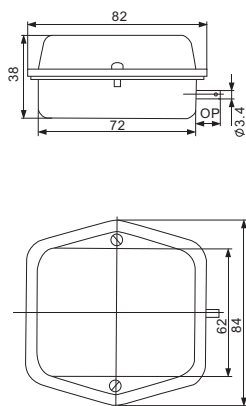
It is to service at the electrical circuit of AC50~60Hz; AC380V; DC220V; current of 3A~40A to execute the position limit to model CD1 and MD1 universal usage of steel wire strand type of electric hoist of 05 ton~10 ton which is to left the machine. It can directly break the main circuit of lifting motor, substituting series LXZ1 and series LX101. The nominal service conditions include an ambient temperature of -25℃~+40℃, ambient relative humidity of 90%, altitude of 2500M and protection degree of IP44. It complies with the standard of IEC337-1 and GB 14048.5-2001.



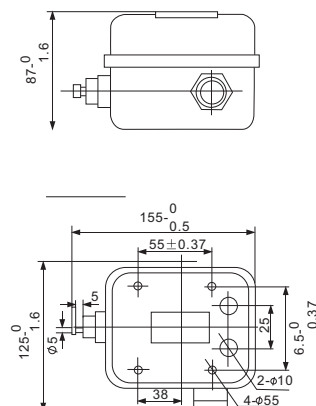
主要技术数据及型号表 Main technology data and model table

型号 type	额定工作电压 (V) Rated working voltage	额定工作电流 (A) Rated working current	可控电动机最大功率 (KW) Max. power of controllable motor	动作行程 (mm) Action travel	允许动作超程 (mm) Allowable action surplus travel	操作力 (kg) Operation force
LX44-3	AC380 DC220	3	4	≤8	≥1	≤1.5
LX44-10		10	4.5	6~8	≤3	≤3
LX44-20		20	7.5	8~10	≤3	≤5
LX44-40		40	13	12~14	≤3	≤10

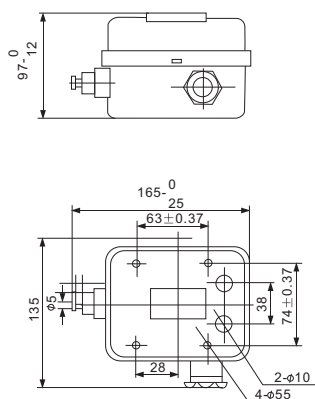
LX44-3A
LX101-3A
LXZ1-3A
LXD1-3A



LX44-10A
LX101-10A
LXZ1-10A
LXD1-10A



LX44-20A
LX101-20A
LXZ1-20A
LXD1-20A



LX44-40A
LX101-40A
LXZ1-40A
LXD1-40A

