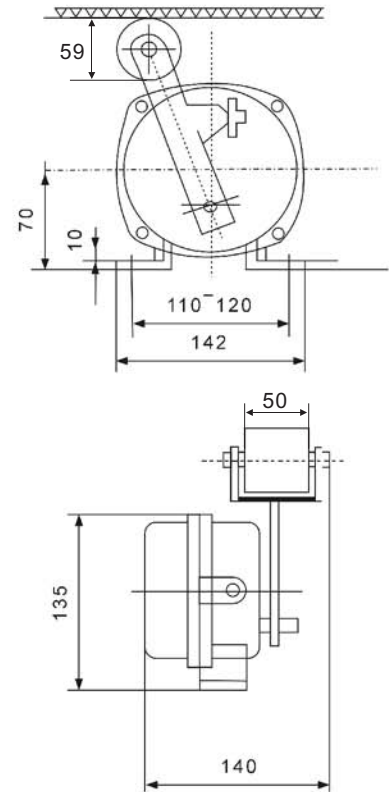


JDK-2 Series slipping switch 系列打滑开关

JDK-2



工作原理	<p>料流检测器采用在载式检测，运行中的胶带加载后胶带下沉，安装在胶带下的检测触轮受压并通过杠杆传动使机内开关动作，输出一组开关信号。 Materials that USES in the load type testing detector, running after loading the adhesive tape, installed in the testing tape pressure and through touch wheel drive to leverage in a group, output switch switch signals.</p>
结构特性 structural characteristic	<p>适用于胶带较窄、带速较慢的传送带检测 Applicable to tape, slower speed conveyor detection</p> <p>铸铝外壳，重量轻、硬度高。 Aluminum enclosures, light weight, high hardness.</p> <p>用进口行程开关，使用寿命长。 Imports of travel switch, long life.</p>
技术指标 technical target	<p>动作行程 actuating length: 10mm</p> <p>触点数量：1个常开；1个常闭 qty.of contact: 1open 1closed</p> <p>触头容量capacity of contact: AC 5A/380V</p> <p>防护等级protection degree: IP67</p> <p>可靠性security: 10000000次times</p> <p>有良好的抗震动性，有较好的防水性 Have good anti-vibration effect, have good waterproof</p>
用途	<p>用于胶带输送机输送料物的检测，可发出有载运行信号、如有洒水装置连接可实现对料物的自动洒水功能。 Used to transport conveyor belt, can send out the test material is running signals, such as sprinkler systems have links to realize the automatic watering function of materials.</p>